

# DR Panel Table Top Holder

## Product Advantages

Rotates 360 degrees for easy angling

Size adjustable

Vertical travel

Ideal for table top cross table exams



Cross table exams can be a challenge. Expensive heavier DR panels increase the chance of detector drops and misalignment. The **DR Panel Table Top Holder** allows the radiographer to position the image receptor with ease and precision and can be easily angled caudal or cephalic depending on the examination.

\*Protect-A-Grid Encasement not included



**Reina Imaging** CE

Safer • Protective • Preferred Radiology Accessories

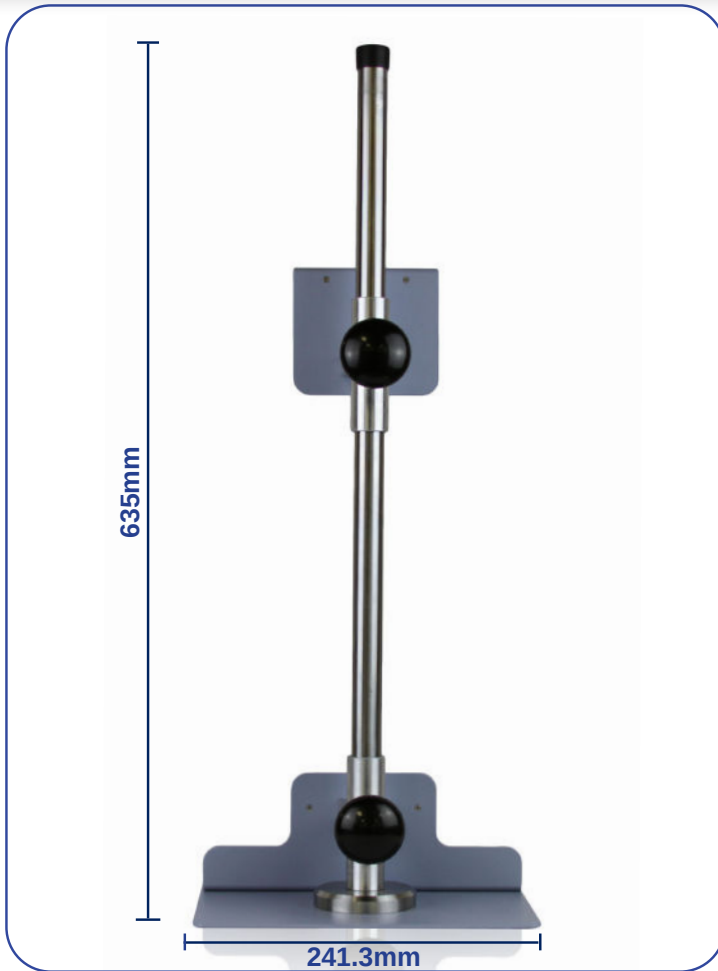


[www.reinaimaging.com](http://www.reinaimaging.com)



[customer\\_service@reinaimaging.com](mailto:customer_service@reinaimaging.com)

# Product Details



## Technical Data

Product Dimensions	14 x 9.75 x 25.13 in. (355.6 x 247.6 x 638.3mm)
Weight	6 lb. (3 kg.)

\*Protect-A-Grid Encasement not included



**Reina**Imaging 

Safer • Protective • Preferred Radiology Accessories



[www.reinaimaging.com](http://www.reinaimaging.com)

 [customer\\_service@reinaimaging.com](mailto:customer_service@reinaimaging.com)