

MOBILE DR PANEL POSITIONING PARTNER

Product Advantages

- Telescoping arm
- Adjustable head
(43x43cm and smaller)
- Piston driven vertical travel
- Small footprint
- Easy to drape
- No electric
- Locking casters
- Counterbalanced



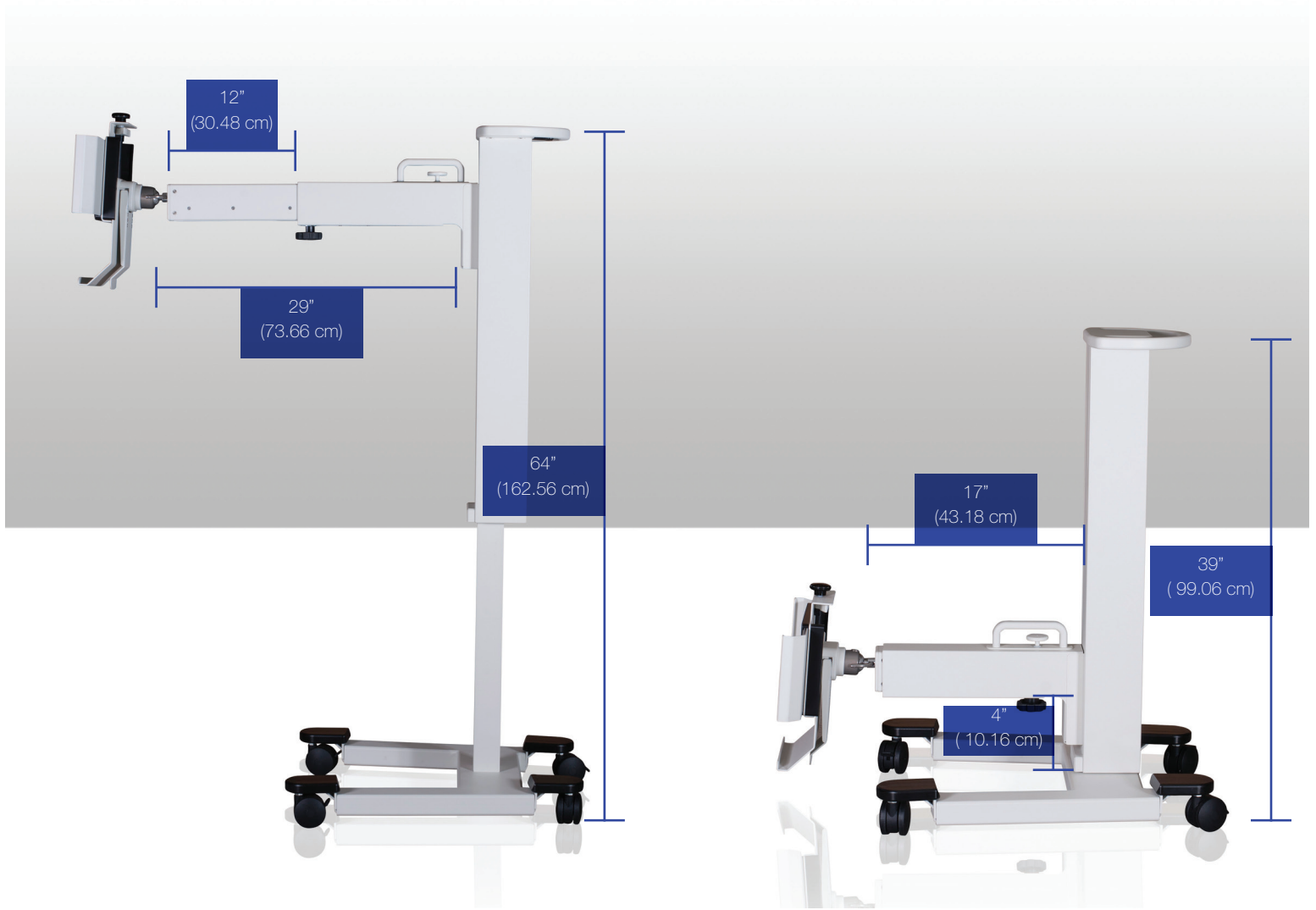
The **Mobile DR Panel Positioning Partner** provides stability, versatility and reliability when positioning DR panels for portable radiography. Perpendicularity is crucial during cross-table exams and expensive panels are heavier than their imaging receptor predecessors - the Positioning Partner allows the tech to position effectively while achieving optimal images for a variety of radiographs. With its small footprint and counterbalanced base, the mobile DR panel holder is easy to drape for surgery and will not tip. It can be used in surgery, imaging centers, clinics and exam rooms.

View the video at
[youtube.com/watch?v=xKeG-7OMM90](https://www.youtube.com/watch?v=xKeG-7OMM90)

ReinaImaging |  XRAY CASSETTE REPAIR

Reinventing Radiography...One Image at a Time™

www.reinaimaging.com



Technical Specifications

Model	POSP14
Weight (approx.)	86 lbs (39kg)
Size	30"x23.25"x40" (76.2cm x59cm x101.6cm)
Vertical Travel (height adjustment)	64" (162.56cm)
Horizontal Arm Vertical Travel	Max height from origin: 39" Min height from origin: 4"
Telescope Travel (Horizontal arm travel)	Max distance from origin: 29" Min distance from origin: 17" Travel: 12"
Boxed Dimension	49" x 48" x 36" (124.5cm x 122cm x 91.5cm)
Shipping Weight	190 lbs. (86.2 kg)