

DR Panel Table Top Holder

Product Advantages

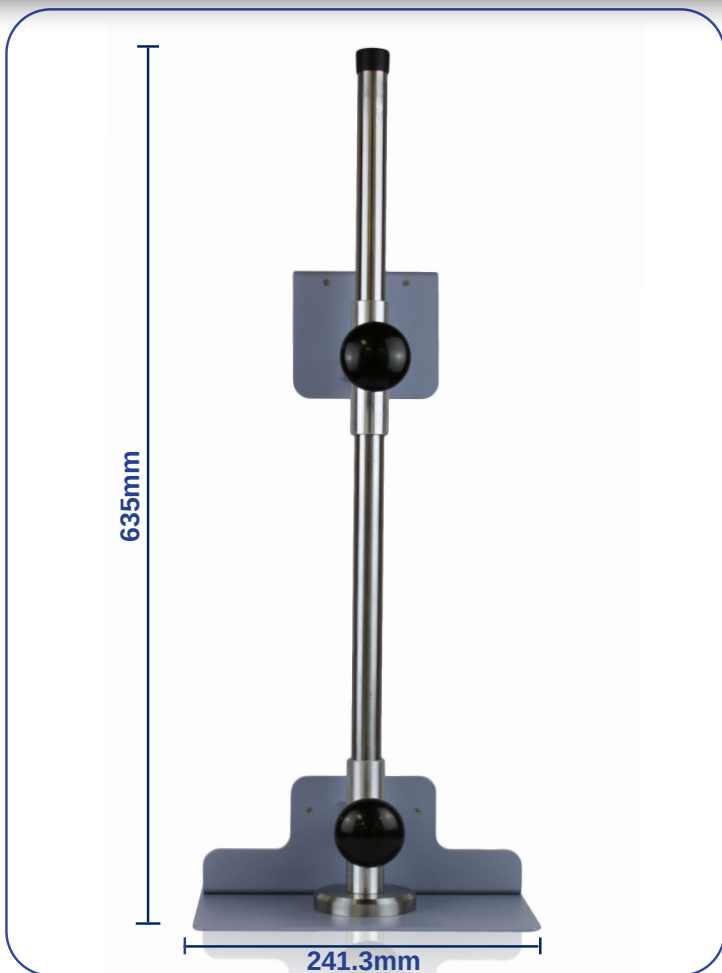
- Rotates 360 degrees for easy angling
- Size adjustable
- Vertical travel
- Ideal for table top cross table exams



Cross table exams can be a challenge. Expensive heavier DR panels increase the chance of detector drops and misalignment. The **DR Panel Table Top Holder** allows the radiographer to position the image receptor with ease and precision and can be easily angled caudal or cephalic depending on the examination.

*Protect-A-Grid Encasement not included

Product Details



Technical Data

Product Dimensions

14 x 9.75 x 25.13 in. (355.6 x 247.6 x 638.3mm)

Weight

6 lb. (3 kg.)

*Protect-A-Grid Encasement not included